



FERMATA TRIO X-RAY INSPECTION SYSTEM

The Fermata Trio leverages Peco InspX's triple beam architecture, proven to improve the detection of foreign material by 60% over similar single beam systems.

The Fermata Trio provides high fidelity X-ray inspection for product conveyed through a pipeline. The Fermata Trio includes an X-ray inspection pipe assembly for accurate and repeatable inspection of product flow. The high power X-ray tube enables the Fermata Trio to identify small pieces of foreign material, such as bone, metal, glass, and rubber at speeds of 440 gallons per minute and more.

The compact inspection assembly installs in a short linear space and can be equipped with a remote monitor to enable installation on pipelines above the production floor.

Optional challenge piece "injector" allows for continuous monitoring of system performance.

The Fermata Trio includes a 4 inch diameter inspection pipeline assembly (optional 2, 3 and 6 inch configurations) and optional positive acting three-way discharge valve assembly with mounting.

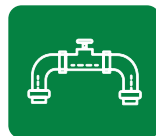
SUPPORTED APPLICATIONS



Pumped solids



Slurries and soups



Pumped proteins

KEY FEATURES

✔ Real-Time Remote Support

Integrated wireless connectivity allows for secure remote support 24/7 globally. Peco InspX can resolve over 95% of customer issues with our powerful remote diagnostics software

✔ Quick Access

The Fermata's quick access doors and flexible pipeline connections assure convenient access for review of the inspection assembly and cleaning

✔ High Speed Operation

High speed image acquisition and processing assures a high resolution inspection at speeds in excess of 600 feet per minute. With a four inch diameter pipe, this translates to inspection processing of greater than 300 gallons per minute

✔ Robust IT Security

Fully integrated end-to-end IT security offerings ensure your networks aren't vulnerable and are defended from any outside threats. Optional IoT module allows for seamless SCADA integration

✔ Compact Design

The total linear profile of the Fermata inspection assembly is slightly more than three feet. With the ejection valve assembly mounted immediately downstream of the inspection system, less than 5 feet of linear space is required

✔ Three X-ray Image Angles

The Fermata Trio offers the power of 3 X-ray beams with the simplicity of a single X-ray tube. This design offers maximized performance with a minimum cost of ownership

✔ Modular Design

All subsystems have been designed with maximum system availability, redundancy, and fault tolerance in mind



Peco InspX
1835 Rollins Road
Burlingame, CA 94010

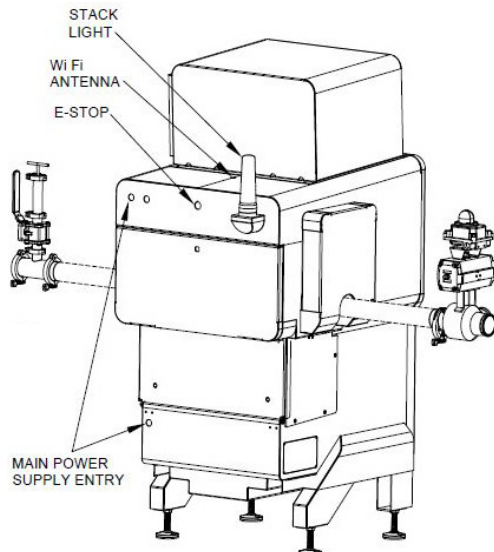
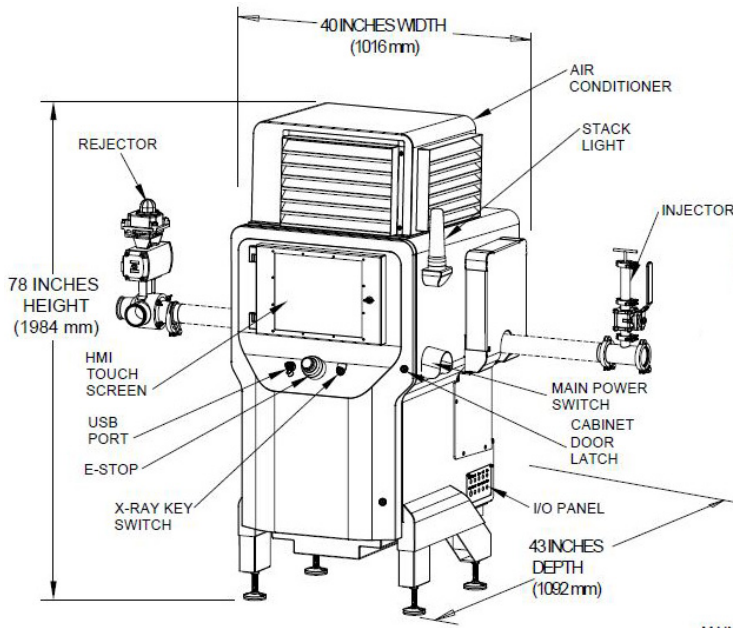


info@peco-inspx.com



+ 1 800 732 6285

MACHINE LAYOUT & SPECIFICATIONS



Machine Architecture	Side-view X-ray system
Pipe Integration	Integrates inline with stainless steel pipeline and sanitary end fittings
X-ray Tube Configuration	High contrast X-ray tube – triple beam
Pipeline Size	2-6" Standard
Environment	Standard: IP 66/NEMA 4X Optional: IP 69K, Passivation
Line Speed	Up to 700 ft/min (230 m/min)
Input Voltage	Available in 120 or 240 VAC options
Air Supply	80 psi @ 5 cfm (for ejection only)
Ambient Temperature	33°F – 113°F (1°C – 45°C)
Air Conditioning	Standard
Diode Size	Configurable to 0.8 mm or 0.4 mm
Container Ejection	Integrated three way reject valve with optional confirmation sensor
Dimensions (LxDxH)	40 x 43 x 78 in (1,016 x 1,092 x 1,984 mm)
Safety Rating	Category 4, Performance Level E
Computer	Solid State Industrial PC with Windows 10 IOT
Connectivity	Integrated WiFi, Ethernet and Cellular Connection
Supported SCADA Systems	Ignition, Wonderware, FactoryTalk, Kepware and other OPC-UA compliant systems
Supported Cloud Platforms	Azure IoT Hub, AWS and Google Cloud via MQTT
Operator Interface	20" wide touchscreen
Construction	Standard: 304 Stainless Steel Optional: 316L/Passivated

